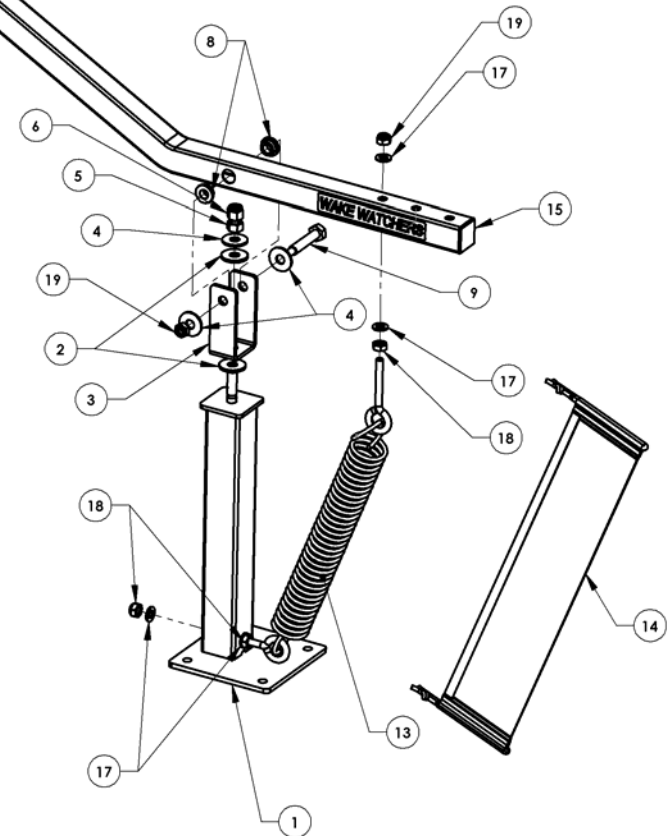
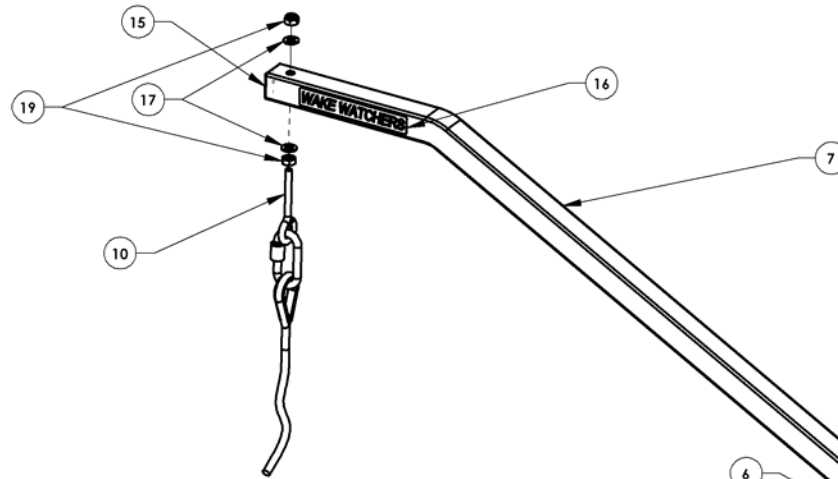
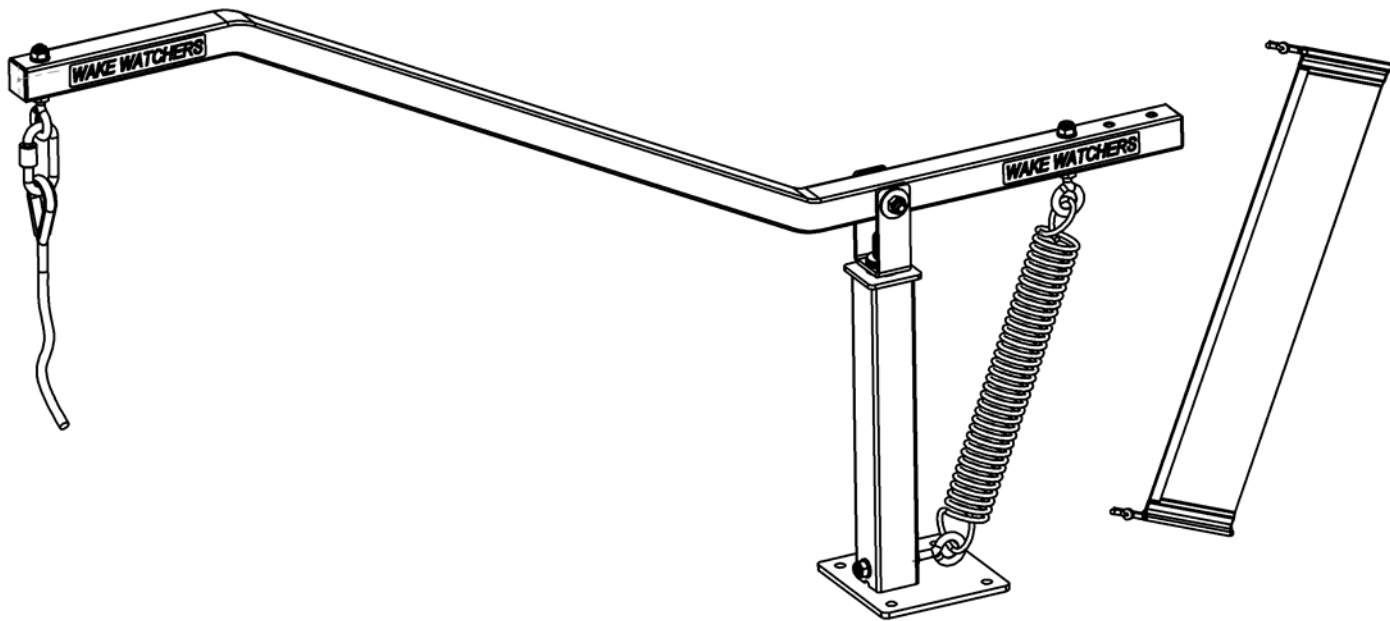


# Wake Watcher™

## Complete Parts List



ITEM NO.	PART NUMBER	DESCRIPTION	QTY.
1	WWMS-SA1	BASE SUBASSEMBLY WELDMENT	1
2	WWMS-P3	WASHER, THRUST BEARING: ID 0.49"[12.3mm], OD 1.4"[35mm],X 0.125"[3.2mm] THK	2
3	WWMS-P2	U-BRACKET	1
4	WWMS-P9	WASHER 1: ID 0.57"[14.5mm], OD 1.30"[33mm] X 0.098"[2.5mm] THK STAINLESS STEEL	3
5	WWMS-P7	NUT 1: M12, PITCH 1.75 X 0.390"[10mm] THK, HEX NUT, STAINLESS STEEL	1
6	WWMS-P11	NUT 2: M12, PITCH 1.75 X 0.470"[12mm] THK,NYLON INSERT HEX LOCKNUT, STAINLESS STEEL	1
7	WWMS-P10-1	ARM:38X38mm] X 14 GAUGE2.0mm WALL HSS.LENGTH: 1473mm	1
8	WWMS-P8	BUSHING FLANGED: ID 0.482"[12.2mm], OD 0.750"[19.1mm], FLANGE O.D. 1"[25.5mm],MATERIAL: "OILITE" BRONZE.	2
9	WWMS-P6	SHOULDER BOLT: M10, HEX CAP, PITCH 1.5mm, STAINLESS STEEL, LENGTH: 2.950"[75mm], SHOULDER LENGTH: 2.360"[60mm]	1
10	WWMS-SA12	ROPE SUBASSEMBLY	1
13	WWMS-P16-1A	SPRING ASSEMBLY	1
14	WWMS-SA17	SPRING SAFETY SLEEVE SUBASSY	1
15	WWMS-P10-3	PLASTIC END CAP: TO FIT INSIDE 1-1/2"X1-1/2"[38X38mm] SQUARE TUBE WITH WALL THICKNESS: 0.089"[2.3mm]	2
16	WWMS-P10-2	REFLECTIVE LABEL:"WAKE WATCHERS" (PRODUCT DECAL)	2
17	WWMS-P26	WASHER 2: I.D. 0.416"[10.5mm], O.D. 0.783"[20mm] X 0.072"[1.8mm] THK, S.STEEL	6
18	WWMS-P24	NUT 3: M10, PITCH 1.5mm X 0.300"[6.5mm] THK HEX NUT, STAINLESS STEEL	3
19	WWMS-P42	NUT 4: M10, PITCH 1.5mm X 0.390"[10mm] THK,NYLON INSERT HEX LOCKNUT, STAINLESS STEEL	4



<b>00</b>		X		DATE:	
REV REVISIONS DESCRIPTION		CHK	ENG APPR.		
<p>THE INFORMATION CONTAINED IN THIS DRAWING IS THE SOLE PROPERTY OF BEAR INDUSTRIES INC. ANY REPRODUCTION IN PART OR AS A WHOLE WITHOUT THE WRITTEN PERMISSION OF BEAR INDUSTRIES INC. IS PROHIBITED.</p> <p>DIMENSIONS ARE IN INCHES UNLESS SPECIFIED OTHERWISE. [DIMENSIONS IN BRACKETS ARE IN MILLIMETERS].</p> <p>TOLERANCES: FRACTIONS: <math>\pm 1/16"</math> ANGLES: <math>\pm 0.5^\circ</math>          DECIMALS: .X = <math>\pm .1/</math> .XX = <math>\pm .02/</math> .XXX = <math>\pm .005</math></p>					
<b>BEAR INDUSTRIES INC.</b>			TITLE / PART DESCRIPTION:		
			WAKE WATCHER SERVICE PARTS		
DRAWN: NENAD B.M.		SIZE	DWG. / PART NO.	REV	
DATE: JUN/07/04		B	WWSP-R6	00	
DO NOT SCALE DRAWING	SCALE: NTS	SHEET 1 OF 2			